

## 86-95 Suzuki Samurai Economy OEM Style Steering Stabilizer (SKU# SST-SSTAM)

### Installation Instructions



**CAUTION:** Safety glasses should be worn at all times when working with vehicles and related tools and equipment.



#### Suggested Tools:

- Twin Post Lift (Optional)  
or
- Floor Jack and 2 Safety Stands (Optional)
- Sockets: 14 & 17 mm
- Ratchet
- Combination Wrench: 17 mm



**FOR ADDITIONAL COPIES OF THESE AND OTHER INSTRUCTIONS GO TO:**  
[www.lowrangeoffroad.com](http://www.lowrangeoffroad.com) and click on the "INSTRUCTIONS" tab.

# Lifting and Supporting the Vehicle

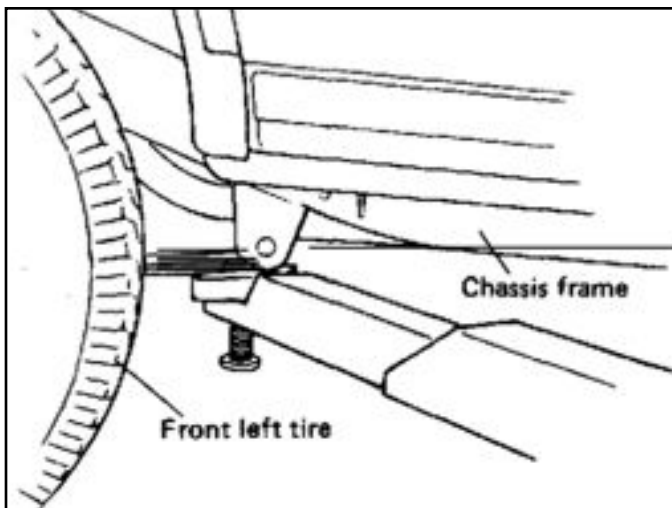


Note: Lifting the vehicle is optional. It simply makes the job a little easier. This job could be done with the vehicle on the ground.

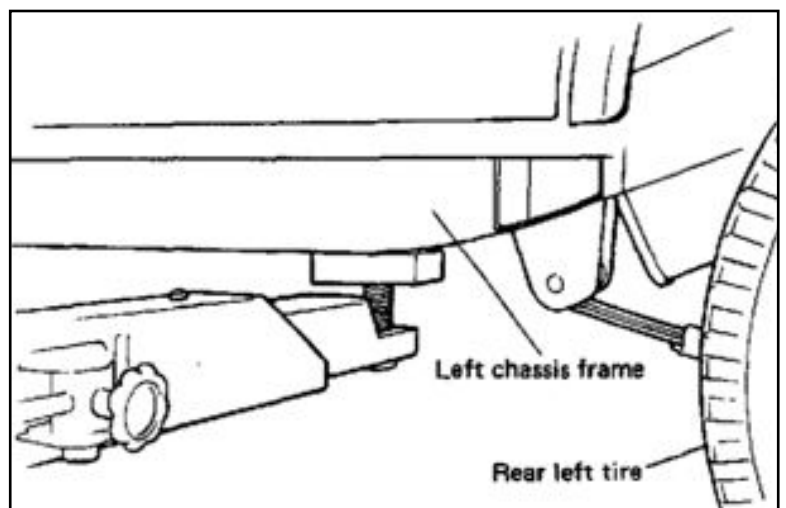


## Lifting Option 1

Lift and support the vehicle on a twin post, frame contact, lift.



Front Positioning

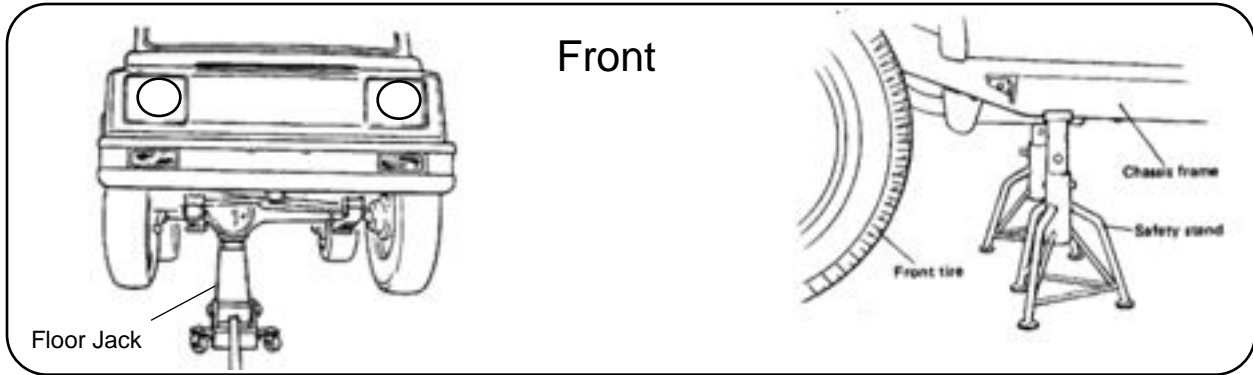


Rear Positioning

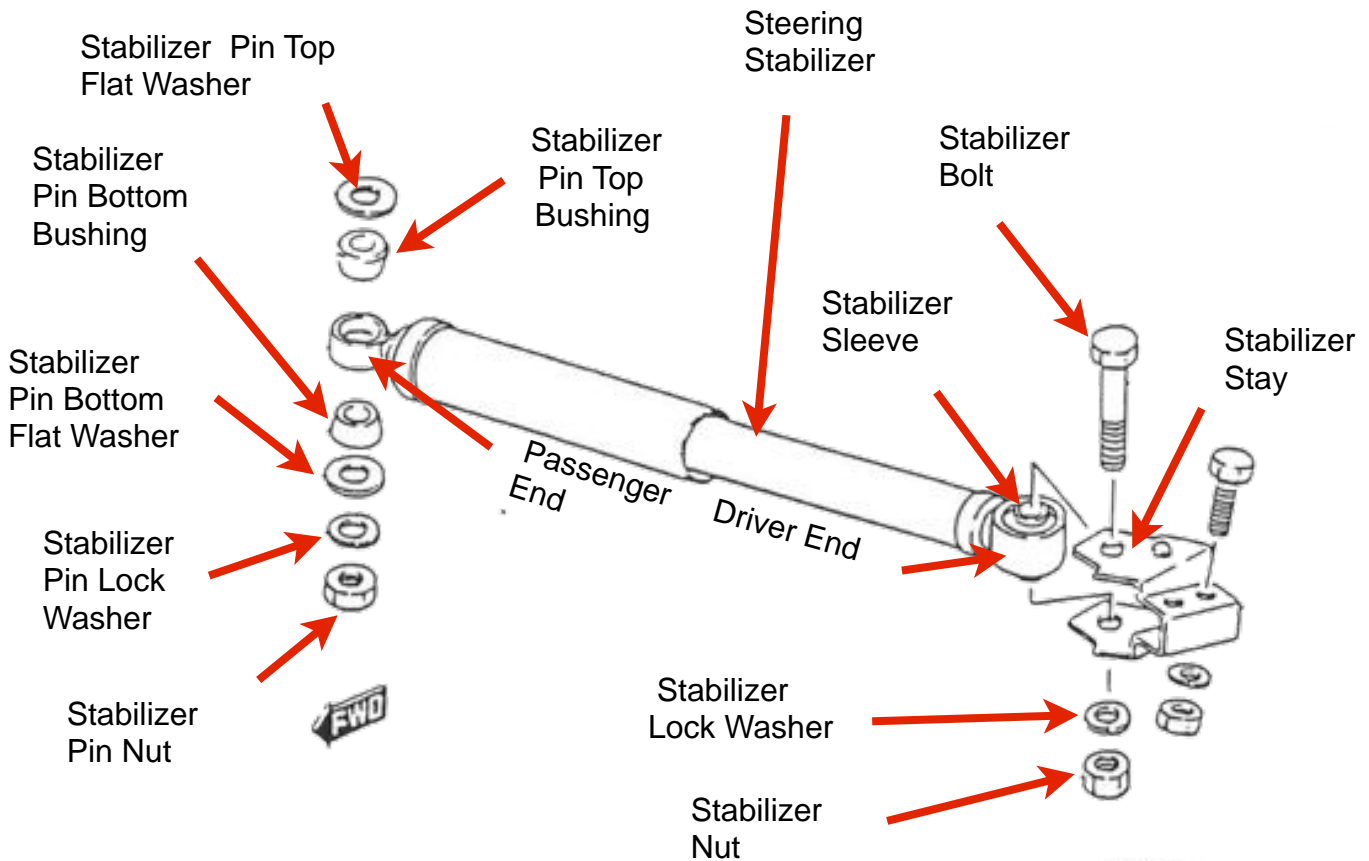


## Lifting Option 2

Lift the front of the vehicle with a floor jack and support it on safety stands.



## Steering Stabilizer Parts Identification





# Removing the OEM Steering Stabilizer



## Step 1

Hold the stabilizer bolt using a 17 mm open end wrench and loosen the stabilizer nut using a 17 mm socket.



## Step 2

Remove the nut and lock washer.



## Step 3

Remove the stabilizer bolt.

Note 1: It may be necessary to turn the steering wheel to position the pitman arm such that the bolt can be removed.

Note 2: Keep this bolt, lock washer and nut. These items will be used to connect the new stabilizer.



## Step 4

Remove the stabilizer from the stabilizer stay by pulling it toward the front of the vehicle.





### Step 5

Loosen the stabilizer pin nut using a 14 mm socket.



### Step 6

Remove the pin nut, lock washer and flat washer.



### Step 7

Remove the bottom bushing and stabilizer.



### Step 8

Remove the upper bushing and flat washer.





### Step 9

Remove the sleeve from the driver end of the stabilizer.



### Step 10

Remove the new stabilizer from the box. Install the sleeve you just removed from the old stabilizer, into the new stabilizer.

Note: The sleeve goes in the end of the shock that is oriented toward the drive side. It would be the end that does not have a sleeve in it.



### Step 11

Install the passenger side end of the stabilizer on to the stabilizer pin.

Note: If there is space enough to install a washer on the pin, above the stabilizer, go ahead and use it. If not leave it out.



### Step 12

Install the original flat washer and nut as shown.





### Step 13

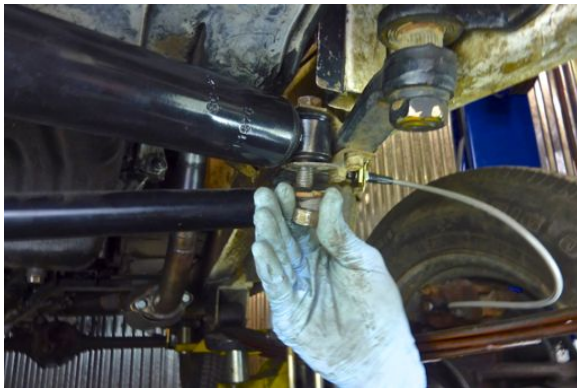
Using a 14 mm socket, snug the nut, but do not tighten it all the way yet.



### Step 14

Position the driver end of the stabilizer in the stabilizer stay.

Note: It may be necessary to bend the stay, to accommodate the slightly larger stabilizer end.



### Step 15

Install the original bolt from the top and the lock washer and nut from the bottom.



### Step 16

While holding the bolt with an open end wrench, snug the nut with a socket and ratchet.





### Step 17

Continue holding the bolt and torque the nut 25.5 to 29.5 ft. lbs.



### Step 18

Torque the stabilizer pin nut 16 to 25 ft. lbs.



### Congratulations!!

You have successfully installed a steering stabilizer. We hope these instructions have been helpful. If you have suggestions on how we can improve our instructions or products we welcome your input. Please email us at [sales@lowrangeoffroad.com](mailto:sales@lowrangeoffroad.com) or call the number listed at the bottom of this page.





As always, If you experience any difficulty during the installation of this product please contact Low Range Off-Road Technical Support at 801-805-6644 M-F 8am-5pm MST. Thank you for purchasing from Low Range Off-Road.



These instructions are designed as a general installation guide. Installation of many Low Range Off-Road products require specialized skills such as metal fabrication, welding and mechanical trouble shooting. If you have any questions or are unsure about how to proceed, please contact our shop at 801-805-6644 or seek help from a competent fabricator. Using fabrication tools such as welders, torches and grinders can cause serious bodily harm and death. Please operate equipment carefully and observe proper safety procedures.

Rock crawling and off-road driving are inherently dangerous activities. Some modifications will adversely affect the on-road handling characteristics of your vehicle. All products sold by Low Range Off-Road are sold for off road use only. Any other use or application is the responsibility of the purchaser and/or user. Some modifications and installation of certain aftermarket parts may under certain circumstances void your original dealer warranty. Modification of your vehicle may create dangerous conditions, which could cause roll-overs resulting in serious bodily injury or death. Buyers and users of these products hereby expressly assume all risks associated with any such modifications and use.

Revised 11/06/13© Copyright 2013 Low Range Off-Road, LC All Rights Reserved

