

86-95 Samurai Black Vinyl Door Panel (SKU# SIB-DPVINYL)

Installation Instructions



CAUTION: Safety glasses should be worn at all times when working with vehicles and related tools and equipment.



Suggested Tools:

- Utility Knife
- Cutting Board
- #2 Phillips Screwdriver
- Electric Hand Drill
- Drill Bit 5/16"
- Window Handle Removal Tool (or needle nose pliers)
- Door Trim Removal Tool





Step 1

Remove the inside handle case by removing (1) phillips screw.



Step 2

Remove the window handle and trim (escutcheon).



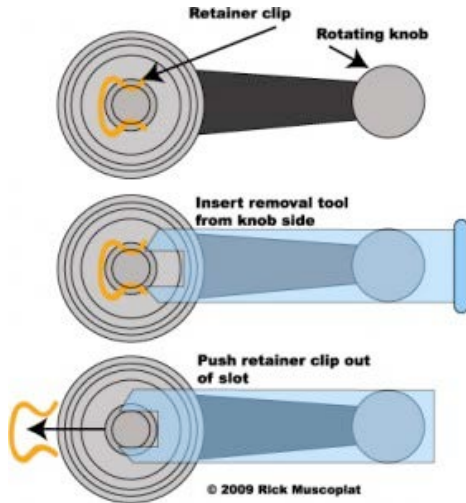
This picture shows the clip that needs to be removed in order to remove the window handle.



Removal Method A

Window handle removal with handle removal tool.

This Window Handle Removal tool can be purchased with a set of other door trim tools on our web site. Click [HERE](#) for more information.



Removal Method A Illustrated

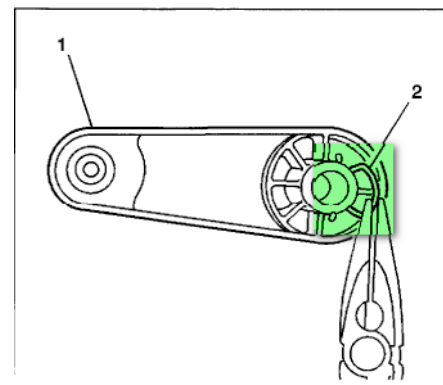


Removal Method B

Window handle removal with a rag.



Removal Method B Illustrated



Removal Method C

Window handle clip removal with pliers (or hook).

A new Replacement Window Handle can be purchased on our website. Click [HERE](#) for more information.





Step 3

Remove the pull handle by removing (2) phillips screws.



Step 4

Remove the stopper band by removing (2) phillips screws.



Step 5

Separate the door panel from the door using a door trim tool.

This Door Trim Removal tool can be purchased with a set of other door trim tools on our web site. Click [HERE](#) for more information.



Tech Tip A

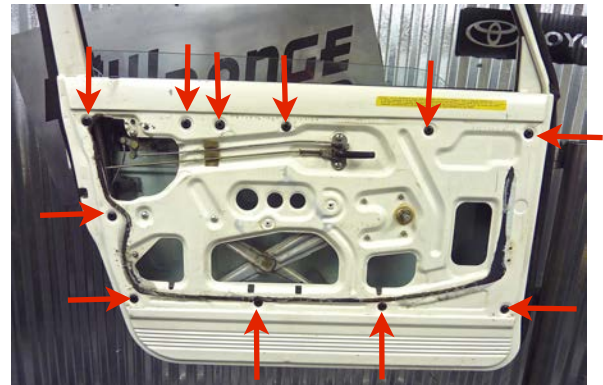
Pop the fasteners loose by placing the tool behind the panel and prying gently at each fastener location. (See Tech Tip C on the next page for fastener locations)





Tech Tip B

For a clearer view, we are showing proper tool positioning with the door panel removed.



Tech Tip C

This picture shows the location of each of the (11) clips that need to be popped loose.



If the trim clips do not need replacing skip to **Step 11**. If trim clips do need replacing continue to the next step

Step 6

Remove the door panel and set it aside.





Step 7

Temporarily install the window handle (without the clip) and roll the window all the way up.

Caution: Failure to roll the window all the way up could result in breaking the window with the drill bit.



Step 8

Drill out the (11) door trim clips with a 5/16" drill bit.

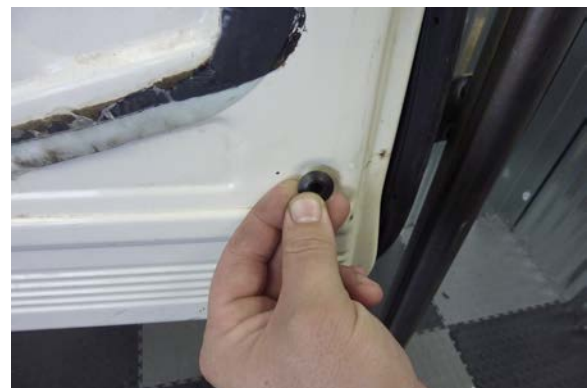
Note: Sometimes the trim clips will spin with the drill bit. If this happens try moving the drill and bit from side to side while drilling.



Step 9

Separate the (11) panel side (white) of each trim clip from the door side (black) using a door panel removal tool.

Note: Set the white part of the trim clips aside. They will be installed later.



Step 10

Insert the door side (black) trim clips in the holes and push them into place until they snap.



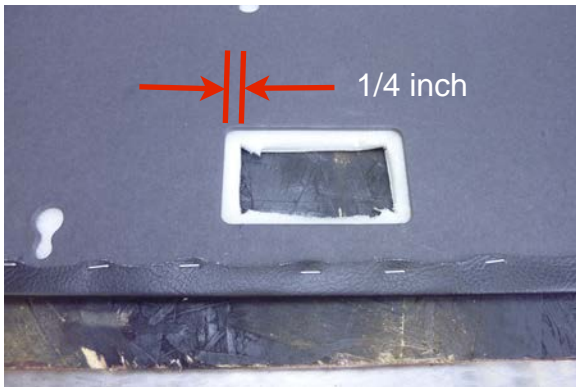
Tech Tip

The handle of a screwdriver works well for pushing these trim clips into place.



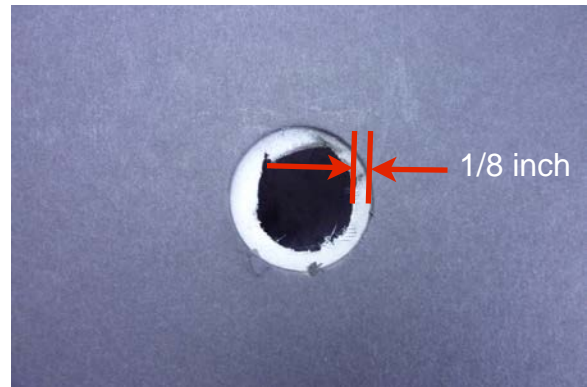
Step 11

Place the supplied door panel, vinyl side down, over a cutting board. A scrap piece of plywood works well as a cutting board. Position the panel such that the door handle area is above the board. Then cut out the hole for the door handle using a utility knife.



Tech Tip

It is best to cut about 1/4 inch inward from the edge to insure a good fit.



Step 12

Cut out the hole for the window handle.

Note: Cut about 1/8 inch inward from the edge.





Step 13

Cut the (2) holes for the pull handle screws.

Note: We simply made 2 straight cuts forming an X for each hole.



Step 14

Cut the (2) holes for the stopper band screws the same way as done in the previous step.



Step 15

Insert the (11) supplied door trim clips into the door panel as shown.



Properly installed trim clips.



Step 16

Align the trim clips in the panel with the trim clips in the door and press each one into place until it snaps.



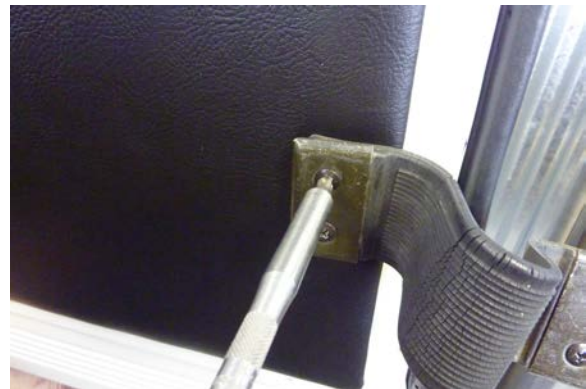
Step 17

Install the door handle case.



Step 18

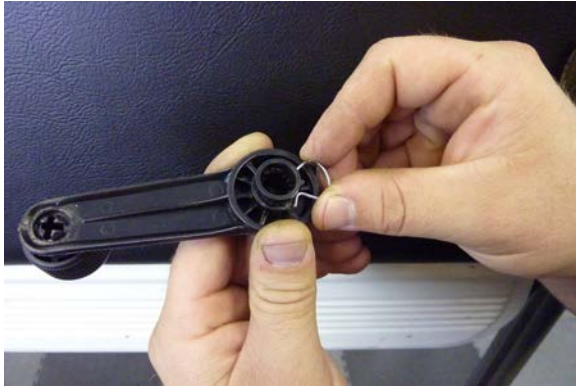
Install the pull handle.



Step 19

Install the stopper band.





Step 20

Install the window handle clip on the window handle.



Tech Tip

Correct positioning of window handle clip.



Step 21

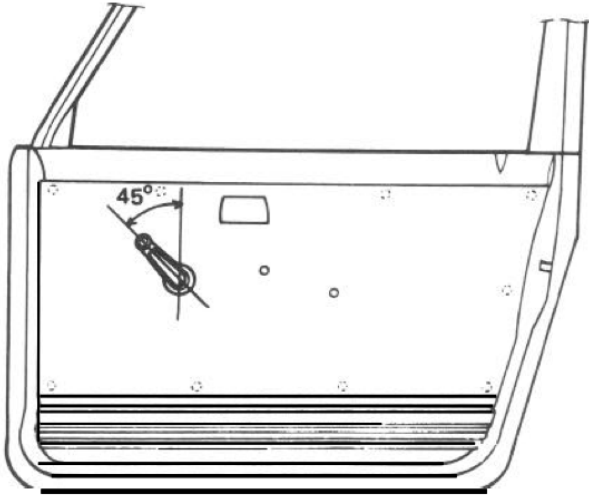
Install the window handle trim (escutcheon).



Step 22

Install the stopper band.





Tech Tip

When installing the handle it should be installed at 45° from true vertical, toward the front of the vehicle with the window rolled all the way up.

Step 23

Install the window handle.

Note: The window handle simply snaps into place with moderate pressure.

Congratulations!

You have successfully installed a one door panel. Now on to the other door and other interior panels if you choose. Thanks for purchasing Low Range Off-Road products.



As always, If you experience any difficulty during the installation of this product please contact Low Range Off-Road Technical Support at 801-805-6644 M-F 8am-5pm MST. Thank you for purchasing from Low Range Off-Road.



These instructions are designed as a general installation guide. Installation of many Low Range Off-Road products require specialized skills such as metal fabrication, welding and mechanical trouble shooting. If you have any questions or are unsure about how to proceed, please contact our shop at 801-805-6644 or seek help from a competent fabricator. Using fabrication tools such as welders, torches and grinders can cause serious bodily harm and death. Please operate equipment carefully and observe proper safety procedures.

Rock crawling and off-road driving are inherently dangerous activities. Some modifications will adversely affect the on-road handling characteristics of your vehicle. All products sold by Low Range Off-Road are sold for off road use only. Any other use or application is the responsibility of the purchaser and/or user. Some modifications and installation of certain aftermarket parts may under certain circumstances void your original dealer warranty. Modification of your vehicle may create dangerous conditions, which could cause roll-overs resulting in serious bodily injury or death. Buyers and users of these products hereby expressly assume all risks associated with any such modifications and use.

Revised 06/21/12© Copyright 2012 Low Range Off-Road, LC All Rights Reserved

