

Instructions Created by an:



## 1986-1995 Suzuki Samurai Front Double Tube Front Bumper (SKU# SFB-LR-DTFB & SFB-LR-DTFB-2BL)

Revised 9-4-15

# Installation Instructions



Kit for No Body Lift



Kit for 2" Body Lift

**CAUTION:** Safety glasses should be worn at all times when working with vehicles and related tools and equipment.



**FOR ADDITIONAL COPIES OF THESE AND OTHER INSTRUCTIONS GO TO:**  
[www.lowrangeoffroad.com](http://www.lowrangeoffroad.com) and click on the "INSTRUCTIONS" tab.

### Suggested Tools:

- Sockets: 10,14,17 & 19mm
- Ratchet
- Combination Wrenches: 10,14,17 & 19 mm
- Phillip Screwdriver
- Soldering Gun
- Solder (Rosin Core)
- Wire Cutters
- Wire Strippers
- Shrink Tube

### Hardware

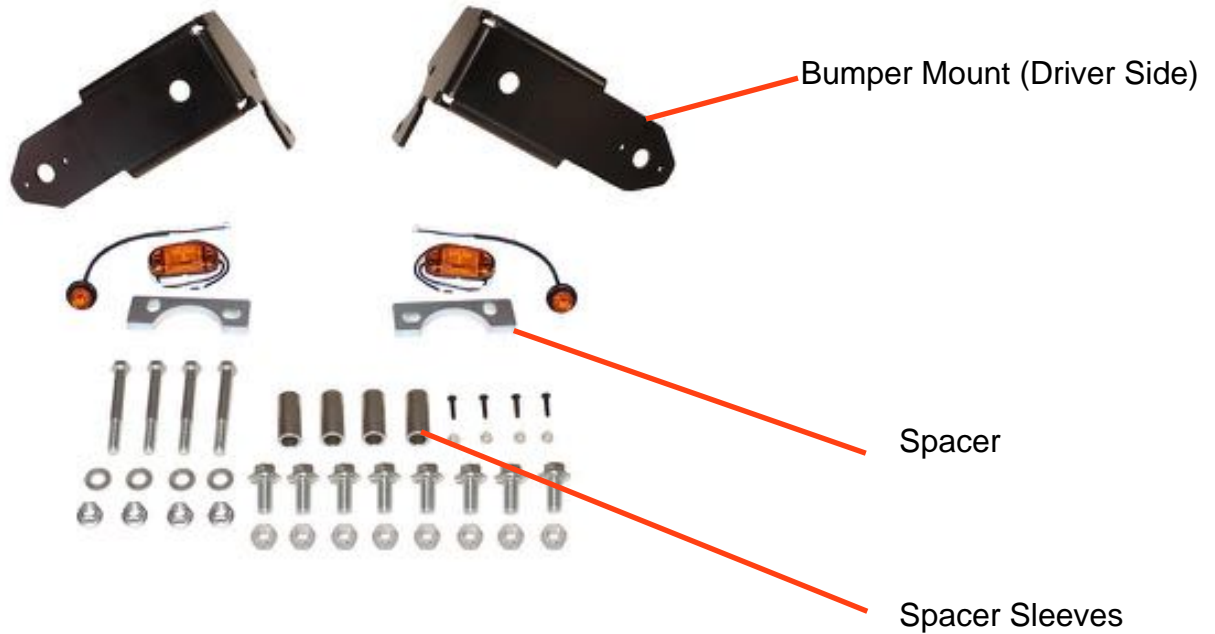
Qty	Description	Size
8	M12X1.75X25mm	Flange Bolt
8	M12X1.75X25mm	Nylock Nut
4	8-32X3/4"	Screws
4	8-32	Nylon Nut
4	M10X1.25X80mm	JIS Cap Bolts
4	M10X1.25	Serrated Flange Nuts
2	M10mm	Flat Washers

### Parts

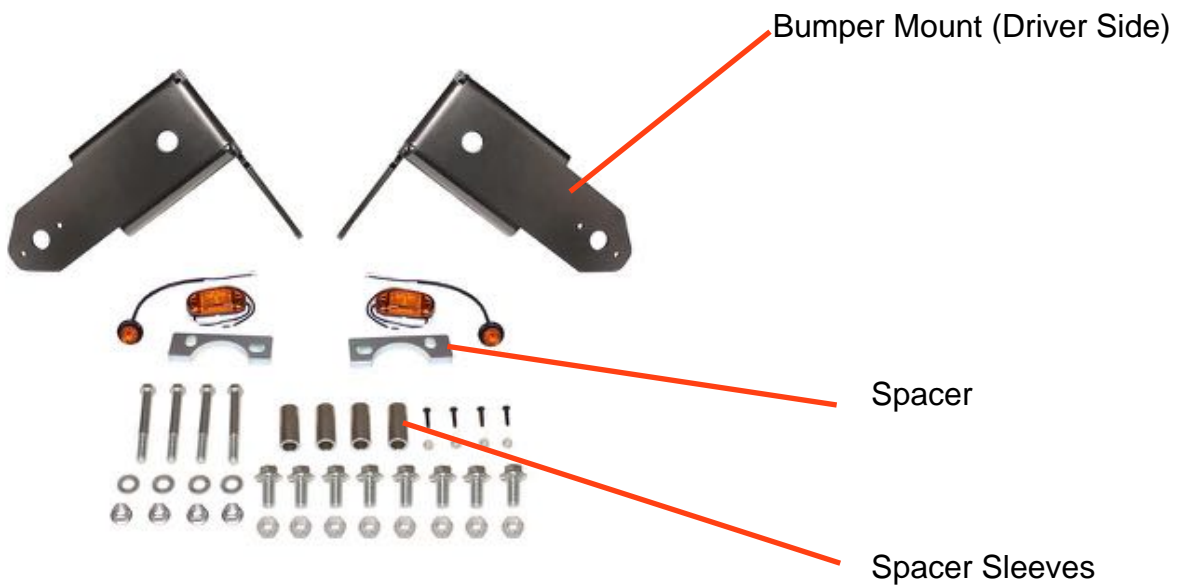
Qty	Parts
2	Amber LED Lights (3/4" Round)
2	Amber LED Lights (Larger Oval)
1	Tube Bumper
2	Spacers
4	Spacer Sleeves
1	Bumper Mount (Driver Side)
1	Bumper Mount (Passenger Side)



## Kit Parts for Vehicles with No Body Lift

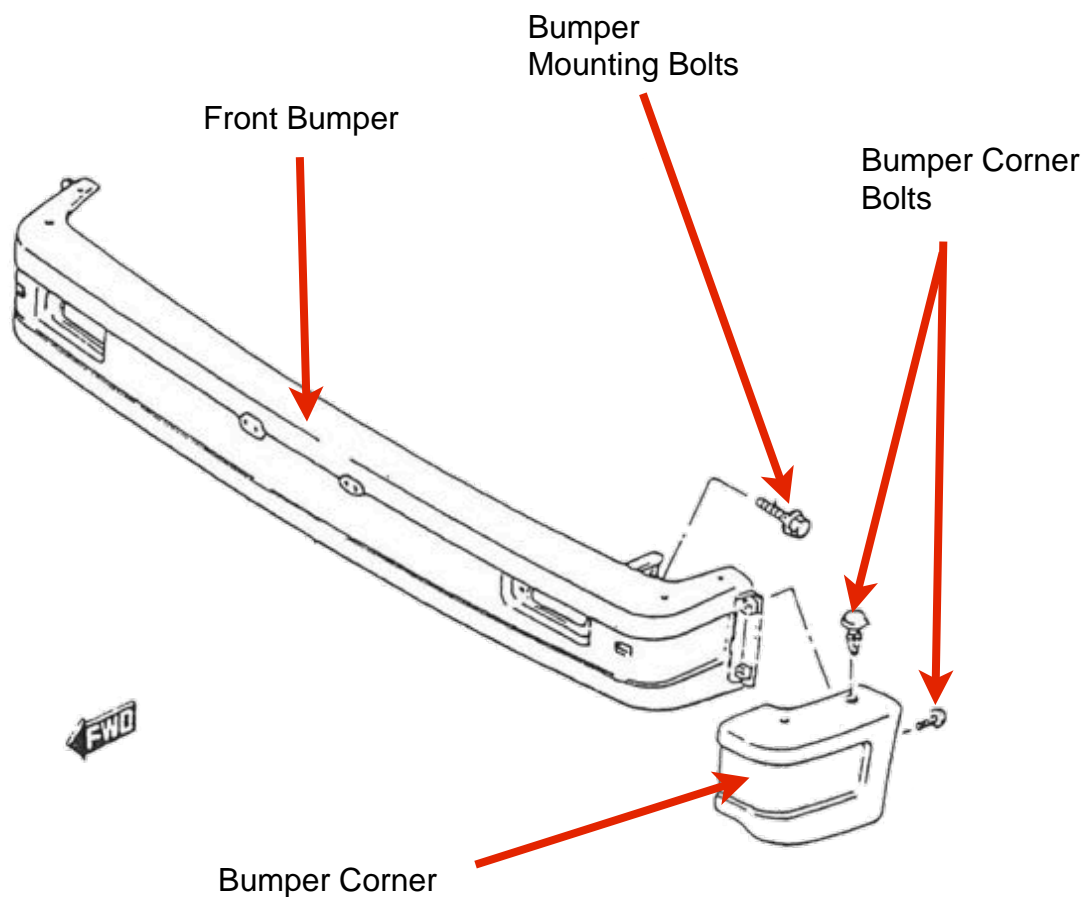


## Kit Parts for Vehicles with 2" Body Lift



## Step 1A - Remove the Front Bumper (Go on to Step 1B if the bumper has already been removed)

1. Remove the bumper corners by removing the bumper corner bolts.
2. Cut the park/signal light wires close to the lights. (See Step 18)
3. Remove the bumper mounting bolts.
4. Remove the bumper.





### Step 1B

Install one of the spacer sleeves inside the bottom of the frame and insert a M10X1.25X80mm bolt through the frame as shown.

Note: Do not use a flat washer on this bolt.



### Step 2

Because the head of the bolt fits very snug in the frame cavity it will likely be necessary to drive the bolt into place with a hammer and punch.

**Caution:** Be careful not to damage the threads of the bolt.



### Step 3

Repeat the previous step on the top of the frame as shown.

Note: Be sure to install a flat washer on this bolt.



### Step 4

If your vehicle does NOT have our LROR Missing Link Front Suspension Kit go on to the next step.

If your vehicle DOES have our LROR Missing Link Suspension Kit, reinstall the bump stop bracket on the two bolts installed previously and then skip to Step 6



Bumper Mount



## Step 5

If your vehicle does not have our LROR Missing Link Suspension Kit, you will need to install the supplied spacer in the place of the bump stop bracket shown in Step 4.



## Step 6

Position the driver side bumper mount on the two bolts installed previously and install the (2) M10X1.25 serrated flange nuts.



## Step 7

Tighten the (2) nuts using a 14 mm socket to 25 ft. lbs.

Note: It is likely that you will need to hold the top bolt using a 14mm box end wrench while tightening the nut but not the bottom bolt. It is held secure by the frame cavity.

## Step 8

Insert the wires of the amber colored signal light through the hole as shown.





### Step 9

Attach the turn signal (oval shaped) lamp to the bumper bracket using the (2) supplied screws and (2) nylon nuts. Hold the nut with a 10 mm box end wrench and tighten the screw using a phillips screwdriver.



### Step 10

Install the park light by inserting the wires through the hole in the bumper bracket and inserting the grommet.



### Step 10 Continued

After inserting the grommet in the bumper bracket, push the light in the grommet until it seats.



### Step 11

Repeat Steps 1 through 10 on the passenger side bumper bracket.





## Step 12

Position the bumper on the bumper mounts.

Note: You may need to have an assistant hold the bumper while installing these bolts.



## Step 13

Install the (2) top M12X1.25X25mm flange bolts.



## Step 14

Install the (2) nylock nuts on the bolts. Do not tighten these nuts and bolts until all (8) bolts have been installed.



## Step 15

Install the bottom (2) bolts and nuts.





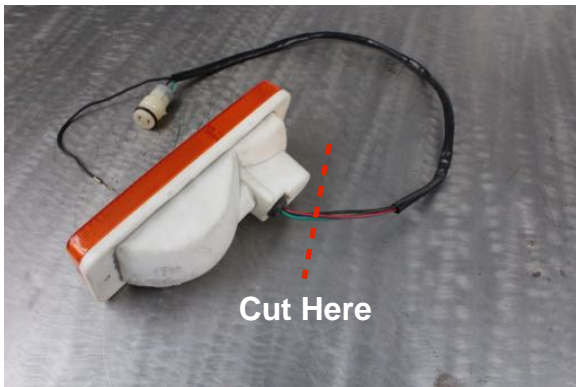
### Step 16

Repeat Steps 13 through 15 on the passenger side bumper mount.



### Step 17

Tighten all (8) bolts by holding the nut using a 19 mm box end wrench and turning the bolt using a 17 mm socket. Torque the nuts to 40 ft. lbs.



### Step 18

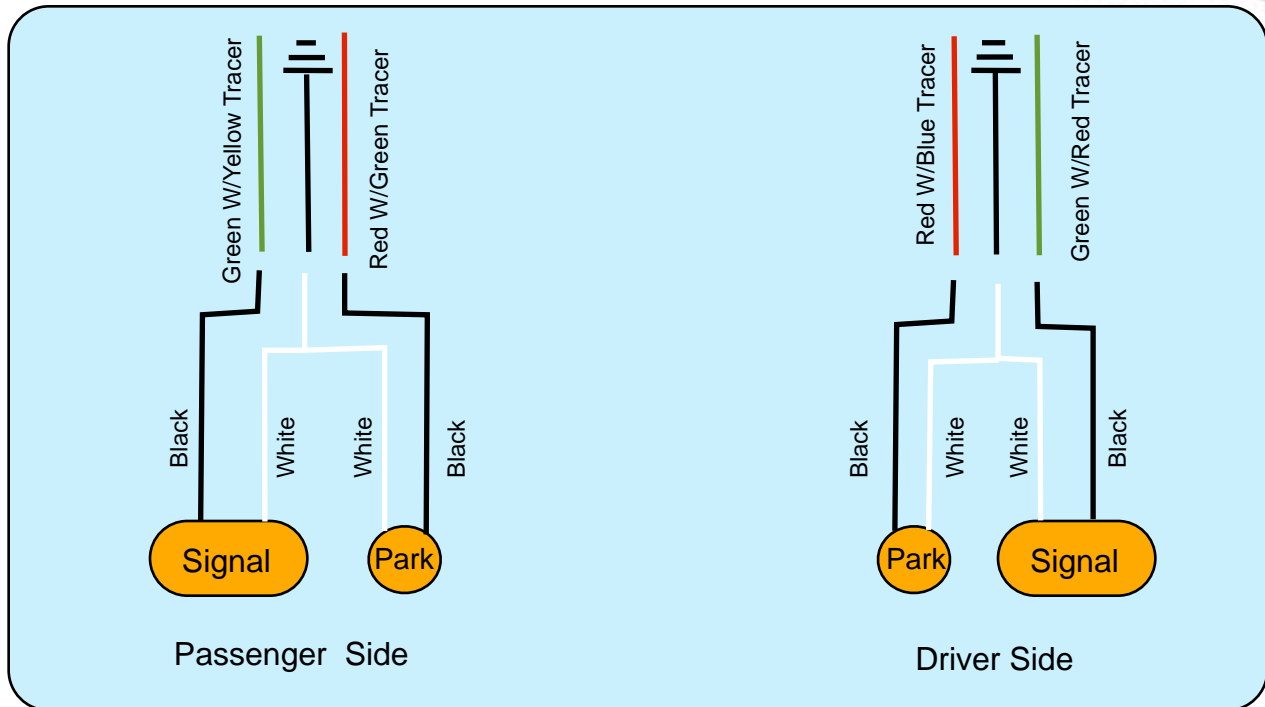
If not done previously, cut the Park/Signal wires at the lamp leaving plenty of length with the vehicle. Connect the wires according to the wiring schematic shown on the next page.



### Tech Tip 18A

We recommend soldering the connections and using shrink tube for insulation. Click [HERE](#) to see a good YouTube video of this procedure. Another, less effective method of connecting wires is wire nuts or crimp style butt connectors.

## Front Park and Signal Light Schematic.



### Tech Tip 18B

Attaching a front license plate is required in some areas of the world and optional in others. If you need to mount a license plate, click [HERE](#) to see what Low Range has to offer.



### Step 19

Test the lights by turning the light switch to the park (or first click) position. The park lights should come on. Then turn the ignition switch to the "ON" position and test the right and left turn signal lights.





## Congratulation!!

You have successfully installed a LROR Tube Bumper. We sincerely hope this as been a good experience. If you have suggestions of how we could improve our instructions (or products) please email us at [sales@lowrangeoffroad.com](mailto:sales@lowrangeoffroad.com)

As always, If you experience any difficulty during the installation of this product please contact Low Range Off-Road Technical Support at 801-805-6644 M-F 7:30am-5:30pm MST. Thank you for purchasing from Low Range Off-Road.



These instructions are designed as a general installation guide. Installation of many Low Range Off-Road products require specialized skills such as metal fabrication, welding and mechanical trouble shooting. If you have any questions or are unsure about how to proceed, please contact our shop at 801-805-6644 or seek help from a competent fabricator. Using fabrication tools such as welders, torches and grinders can cause serious bodily harm and death. Please operate equipment carefully and observe proper safety procedures.

Rock crawling and off-road driving are inherently dangerous activities. Some modifications will adversely affect the on-road handling characteristics of your vehicle. All products sold by Low Range Off-Road are sold for off road use only. Any other use or application is the responsibility of the purchaser and/or user. Some modifications and installation of certain aftermarket parts may under certain circumstances void your original dealer warranty. Modification of your vehicle may create dangerous conditions, which could cause roll-overs resulting in serious bodily injury or death. Buyers and users of these products hereby expressly assume all risks associated with any such modifications and use.

Revised 06/06/14© Copyright 2014 Low Range Off-Road, LC All Rights Reserved

