

86-95 Suzuki Samurai 3" Tube Nurf Bars w/ Step (SKU# SAR-3NB)

Installation Instructions



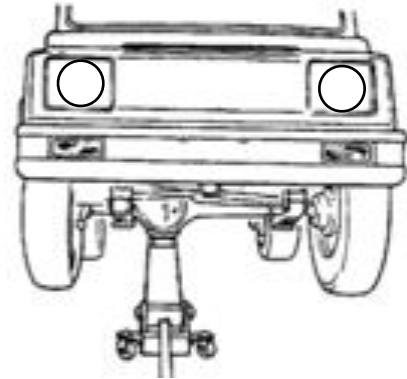
CAUTION: Safety glasses should be worn at all times when working with vehicles and related tools and equipment.



FOR ADDITIONAL COPIES OF THESE AND OTHER INSTRUCTIONS GO TO:
www.lowrangeoffroad.com and click on the "TECH AND INSTRUCTIONS" tab.

Suggested Tools:

- Twin Post Lift (or Floor Jack and 2 Jack Stands)
- Socket: 19 mm (or Lug Wrench)
- 5/16 Drill Bit (Supplied)
- (16) M10X1.25X25mm Self Tapping Screws (Supplied)
- 1/4" Electric Hand Drill
- Center Punch
- Ball Peen Hammer
- Impact Socket: 13 mm
- 3/8 Impact Wrench
- C-Clamps (2)
- Torque Wrench: Ft. Lb.



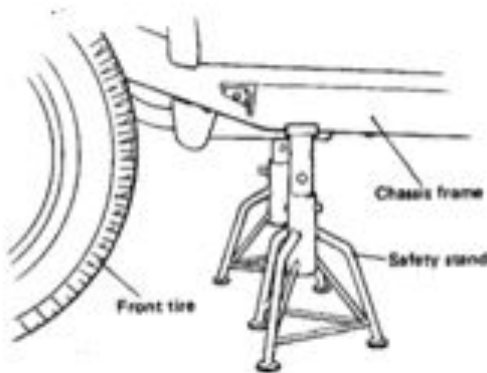
Step 1

Lift and support the vehicle on a twin post lift.

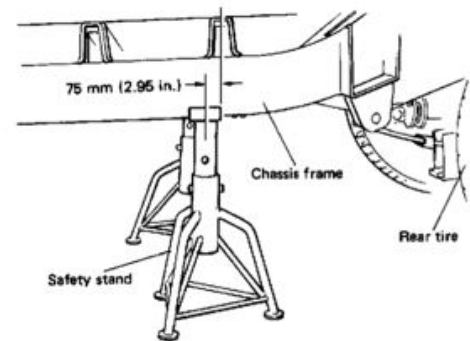
Note: We used a twin post lift, but this job could easily be done with a floor jack and (2) safety stands by supporting one side of the vehicle at a time. We begin our instructions on the passenger side.

Tech Tip

Proper positioning of floor jack.



Front



Rear

Tech Tip

Proper positioning of safety stands.

Begin on the Passenger Side.



Step 2

Remove the passenger side rear wheel using a 19 mm socket (or Lug Wrench).



Step 3

Position the Nurf Bar as shown. The distance below the body is up to you, but; it should not touch the body.

Caution: The step tread should be oriented toward the front of the vehicle. If the step tread is oriented toward the rear of the vehicle you have selected the wrong bar. (See next Tech Tip for more information)



Tech Tip

This picture show the proper orientation of the step tread.



Step 4

While an assistant holds the Nurf Bar in place, C-Clamp the passenger side front of the Nurf Bar as shown.





Step 4 Continued

This shows the C-Clamp and Nurf Bar properly positioned on the passenger side front of the vehicle.



Step 5

Now, C-Clamp the rear of the Nurf Bar as shown.



Step 5 Continued

This shows the C-Clamp and Nurf Bar properly positioned on the passenger side rear.



Step 6

Mark the center of the 1st hole, to be drilled, using a center punch and hammer.

Note: It does not really matter which hole you start with.





Step 7

Drill the first 5/16" hole using the drill bit that was supplied with this kit.

Note: A drop of cutting oil (or even engine oil) on the bit will make it cut better and last long.



Step 8

Start the supplied self tapping bolt.

Note: A drop of oil will help here as well



Step 9

Install the self tapping bolt using a 13 mm impact socket and a 3/8 drive impact wrench. This could easily be done with a ratchet as well if you do not have an impact wrench, it just takes longer. Stop when the bolt is just slightly snug. Then torque to 15 ft. lbs.

Caution: These threads are easily stripped. **DO NOT OVER-TORQUE.**



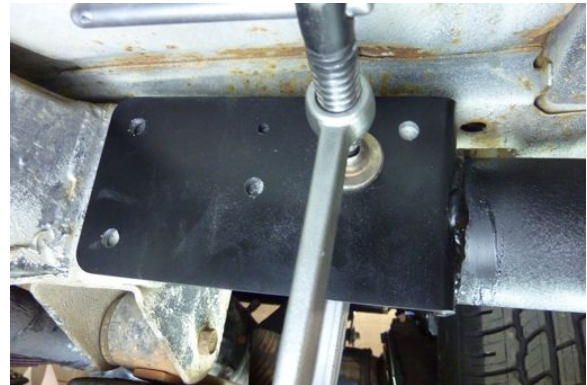
Step 10

Repeat **Steps 6 to 9** at the other three mounting holes.



Step 11

Remove the C-Clamp.



Step 12

Repeat **Steps 6 to 11** on the front of the passenger side Nurf Bar.



Step 13

Reinstall the right rear wheel. Torque the lug nuts to 36.5 to 57.5 ft. lbs.



Step 14

Repeat **Steps 2 to 13** on the driver side of the vehicle.





Step 15

Lower the vehicle to the floor.



Congratulation!

You have successfully completed the job. If you have suggestions on how we could make these instructions or our products better, please let us know.

As always, If you experience any difficulty during the installation of this product please contact Low Range Off-Road Technical Support at 801-805-6644 M-F 8am-5pm MST. Thank you for purchasing from Low Range Off-Road.



These instructions are designed as a general installation guide. Installation of many Low Range Off-Road products require specialized skills such as metal fabrication, welding and mechanical trouble shooting. If you have any questions or are unsure about how to proceed, please contact our shop at 801-805-6644 or seek help from a competent fabricator. Using fabrication tools such as welders, torches and grinders can cause serious bodily harm and death. Please operate equipment carefully and observe proper safety procedures.

Rock crawling and off-road driving are inherently dangerous activities. Some modifications will adversely affect the on-road handling characteristics of your vehicle. All products sold by Low Range Off-Road are sold for off road use only. Any other use or application is the responsibility of the purchaser and/or user. Some modifications and installation of certain aftermarket parts may under certain circumstances void your original dealer warranty. Modification of your vehicle may create dangerous conditions, which could cause roll-overs resulting in serious bodily injury or death. Buyers and users of these products hereby expressly assume all risks associated with any such modifications and use.

Revised 06/12/13© Copyright 2013 Low Range Off-Road, LC All Rights Reserved