

Instructions Created by an:



**Automotive  
Service  
Excellence**  
MASTER AUTO TECHNICIAN



# Suzuki Samurai Steering Stabilizer Bracket for 3" Drop Pitman Arm (SKU# [SST-SB-DP](#))

## Installation Instructions

Bracket to be used with  
this [Drop Pitman Arm](#)



**CAUTION:** Safety glasses should be worn at all times when working with vehicles and related tools and equipment.



### Suggested Tools:

- 19mm Box End Wrench
- 19mm Ratcheting Box End Wrench
- 13mm Box End Wrench
- 13mm Ratcheting Box End Wrench

**FOR ADDITIONAL COPIES OF THESE  
AND OTHER INSTRUCTIONS GO TO:**  
[www.lowrangeoffroad](http://www.lowrangeoffroad) and click on the  
"INSTRUCTIONS" tab.

# Lifting and Supporting the Vehicle

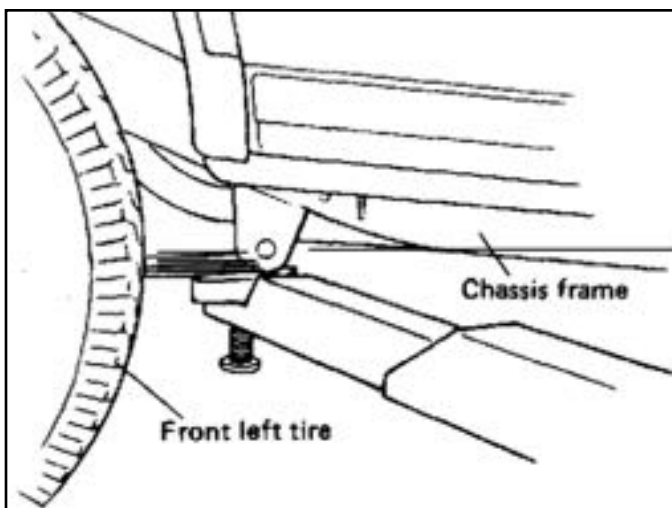


Note: Lifting the vehicle is optional. It simply makes the job a little easier. This job could be done with the vehicle on the ground.

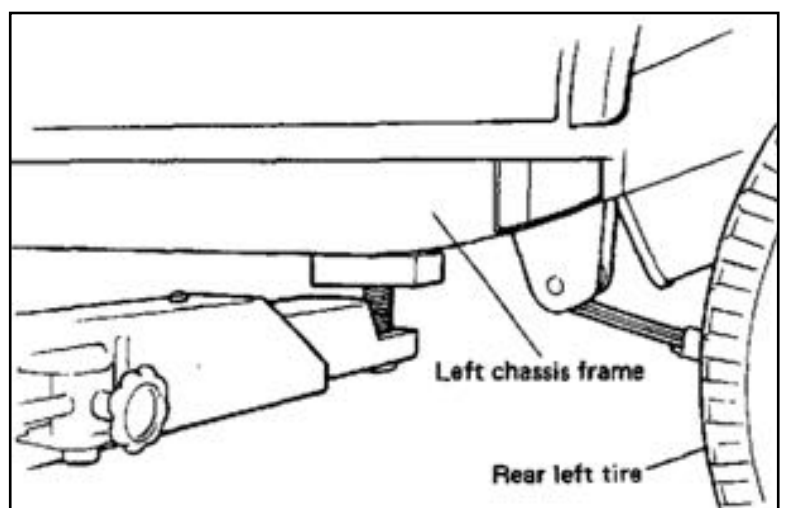


## Lifting Option 1

Lift and support the vehicle on a twin post, frame contact, lift.



Front Positioning

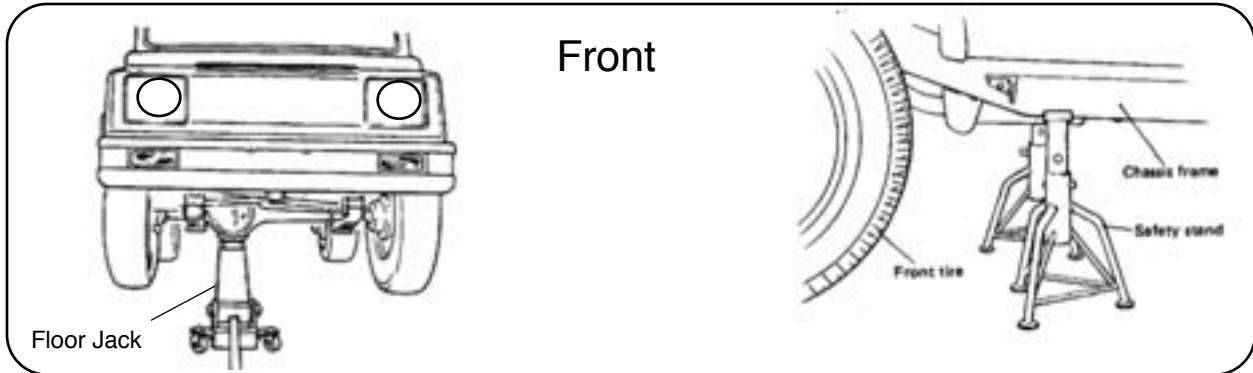


Rear Positioning

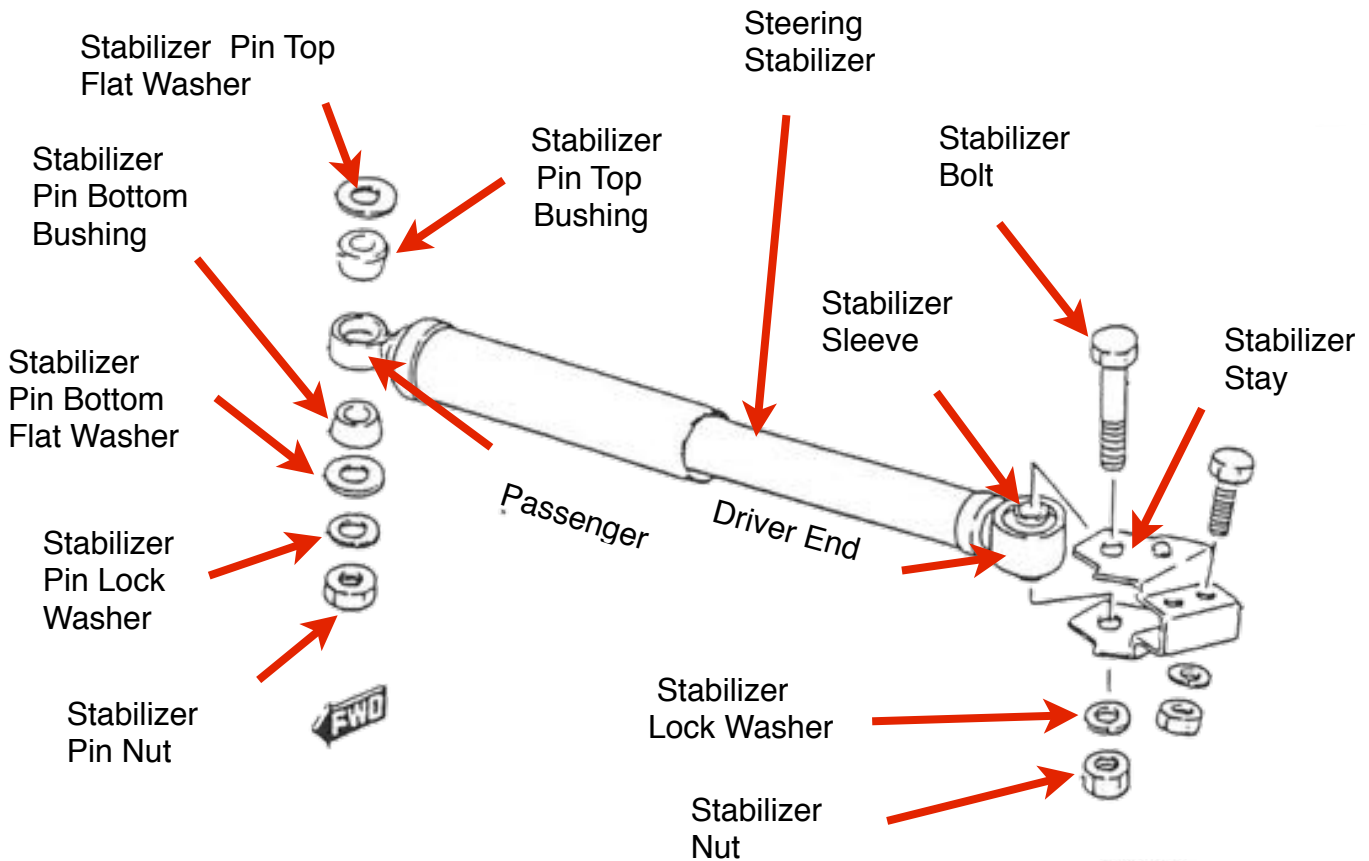


## Lifting Option 2

Lift the front of the vehicle with a floor jack and support it on safety stands.



## Steering Stabilizer Parts Identification



**IMPORTANT NOTE:** These instructions were created using a Samurai with an OEM (Original Equipment Manufacturer) steering stabilizer which requires the use of all four washer spacers (See Step 2 blow). If you are installing the stabilizer bracket with an aftermarket stabilizer you may **NOT** need all 4 spacer washers.



### Step 1

Place two of the supplied washers on the top of the stabilizer, place the stabilizer bracket over the assembly and install the supplied M12 bolt engaging the two washer spacers as shown.



### Step 2

Place two more supplied washer spacers on the bottom of the stabilizer and continue installing the M12 bolt.

Note: Add or subtract washers to eliminate any space between the stabilizer and bracket.



### Step 3

Install the supplied M12 nylock nut. Leave it loose for now.



### Step 4

Position the stabilizer bracket on top of the drop pitman arm, align the holes and install both of the supplied M8 bolts.



### Step 5

Install both of the supplied M8 nylock nuts.



### Step 6

While holding the bolt with a 13mm box end wrench, tighten the nylock nuts using a 13mm ratcheting box end wrench. Tighten the second nylock nut in the same way.



### Step 7

While holding the 12mm bolt using a 19mm box end wrench, tighten the 12mm nylock nut using a 19mm ratcheting box end wrench until the nut becomes tight. Then loosen the nut 3/4 of a turn.

Note: We loosen the nut so that the stabilizer can pivot on the 12mm bolt.



### Congratulations!

You have successfully installed the a steering stabilizer bracket. We hope these instructions have been helpful. If you have suggestions on how to make these instructions (or products) better, please email us at: [sales@lowrangeoffroad.com](mailto:sales@lowrangeoffroad.com)



As always, If you experience any difficulty during the installation of this product please contact Low Range Off-Road Technical Support at 801-805-6644 M-F during regular store hours. Thank you for purchasing from Low Range Off-Road.



These instructions are designed as a general installation guide. Installation of many Low Range Off-Road products require specialized skills such as metal fabrication, welding and mechanical trouble shooting. If you have any questions or are unsure about how to proceed, please contact our shop at 801-805-6644 or seek help from a competent fabricator. Using fabrication tools such as welders, torches and grinders can cause serious bodily harm and death. Please operate equipment carefully and observe proper safety procedures.

Rock crawling and off-road driving are inherently dangerous activities. Some modifications will adversely affect the on-road handling characteristics of your vehicle. All products sold by Low Range Off-Road are sold for off road use only. Any other use or application is the responsibility of the purchaser and/or user. Some modifications and installation of certain aftermarket parts may under certain circumstances void your original dealer warranty. Modification of your vehicle may create dangerous conditions, which could cause roll-overs resulting in serious bodily injury or death. Buyers and users of these products hereby expressly assume all risks associated with any such modifications and use.

Revised 03/04/16© Copyright 2016 Low Range Off-Road, LC All Rights Reserved

